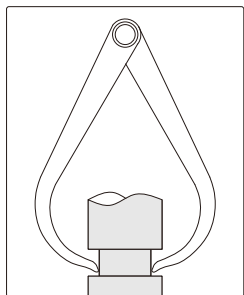
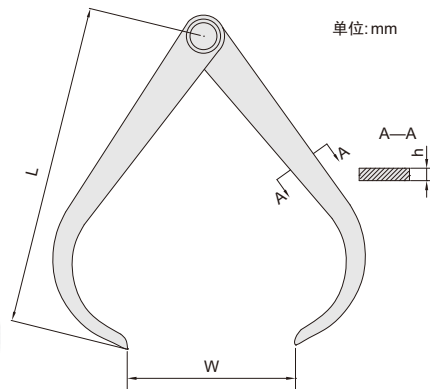


◆ 碳钢尺身



983-006-01



单位:mm

| 货号 | 尺寸(L) | 厚度范围(W) | h |
|------------|--------|----------|---|
| 983-006-01 | 150mm | 0-150mm | 2 |
| 983-008-01 | 200mm | 0-200mm | 2 |
| 983-010-01 | 250mm | 0-250mm | 3 |
| 983-012-01 | 300mm | 0-300mm | 3 |
| 983-016-01 | 400mm | 0-400mm | 3 |
| 983-020-01 | 500mm | 0-500mm | 3 |
| 983-024-01 | 600mm | 0-600mm | 3 |
| 983-032-01 | 800mm | 0-800mm | 4 |
| 983-040-01 | 1000mm | 0-1000mm | 4 |

包装(尺寸≤300mm)

